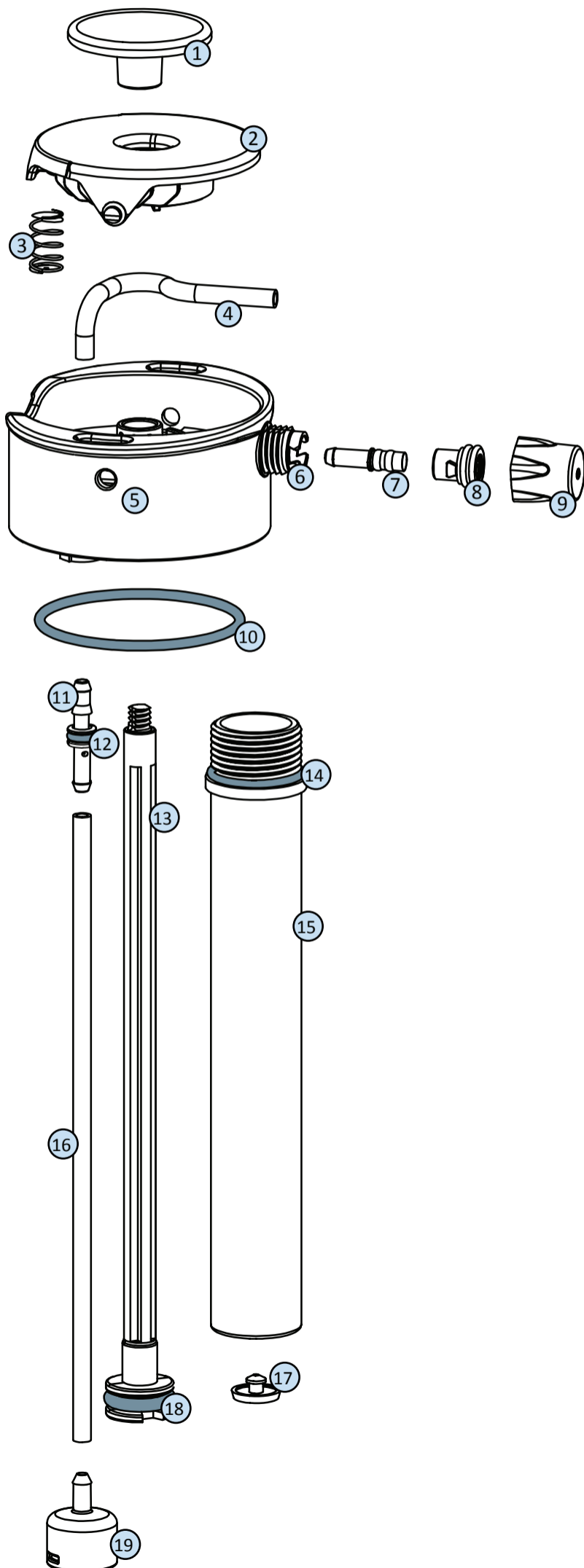


Maintenance

- Do not leave Aquabot pressurized for multiple days.
- Do not put Aquabot in the freezer with or without water. Extreme temperatures can damage the unit.
- Store out of direct sunlight. Extreme temperatures can damage the unit.
- Clean with soap and water when needed.
- Aquabot has not been tested to be cleaned in dishwashers.
- Spray air through Aquabot to dry out the silicone tube before storing for long periods of time.



- ① Pump handle
- ② Trigger
- ③ Spring
- ④ Pinch tube
- ⑤ Lid
- ⑥ Lid nozzle
- ⑦ Nozzle adapter
- ⑧ Nozzle
- ⑨ Nozzle cap
- ⑩ Lid o-ring
- ⑪ Draw tube adapter
- ⑫ Draw tube o-ring
- ⑬ Piston rod
- ⑭ Pump barrel o-ring
- ⑮ Pump barrel
- ⑯ Draw tube
- ⑰ Umbrella valve
- ⑱ Piston o-ring
- ⑲ Weighted screen

Trouble shooting chart

PROBLEM	REASON	SOLUTION
A. Aquabot is difficult to unscrew.	Pressure is still in the bottle.	Hold Aquabot upside down, make sure the weighted screen (19) is above the water level, and press the trigger (2).
B. Leaking from the nozzle in stream setting.	The nozzle cap (9) is too loose.	Tighten the nozzle cap (9) firmly, then unscrew counterclockwise ¼ to ½ turn only.
C. Aquabot does not shoot a fine mist.	Aquabot is not pressurized enough.	Add pressure.
	Nozzle cap (9) is not on firmly.	Twist the nozzle cap (9) clockwise until it stops.
	Small debris may be blocking nozzle. (8)	See “Plugged Nozzle” below.
D. Aquabot will not pressurize.	The seal is not tight enough.	Firmly screw the lid (5) onto the bottle clockwise.
	Lid o-ring (10) is dry.	Remove Aquabot from bottle, apply a small amount of water to Lid o-Ring (10).
	Missing o-ring or umbrella valve.	Replace o-Ring or umbrella valve.
	Pinch tube (4) is damaged.	Replace pinch tube. Replacement parts are available at www.lunatecgear.com
E. Top is leaking.	Damaged pinch tube (4).	Replacement parts are available at www.lunatecgear.com .
F. Plugged nozzle.	Debris in nozzle (8).	Clean debris by flushing with water.
G. Builds pressure but doesn't spray.	Pinch tube (4) is kinked or plugged.	Remove trigger (2) by pressing in the small hole located on the side of the lid to pop the trigger off the top. Un-pinch or un-clog tube and replace trigger.