



HYDRATION SPRAY BOTTLE

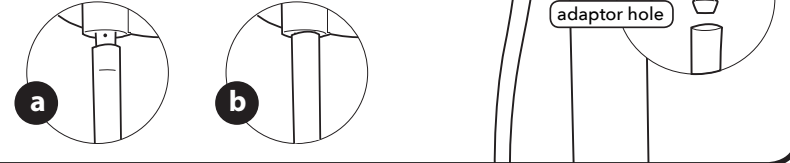
Your hydration spray bottle combines the functionality of a kitchen faucet, garden hose and water bottle into an easy-to-use design with mist, stream and shower modes for cooling, cleaning and drinking.

Please contact us if you need any help with your bottle.

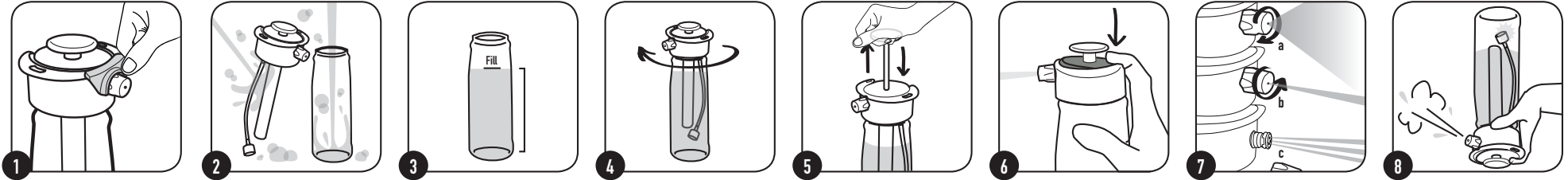
SPRAY MODES

There are 2 operating modes called Stealth and Pulse. Stealth is ideal for drinking, misting and conserving pressure. Pulse is ideal for cleaning and conserving water.

- Expose adaptor hole to use in Pulse mode.
- Cover adaptor hole to use in Stealth mode.



DIRECTIONS FOR USE

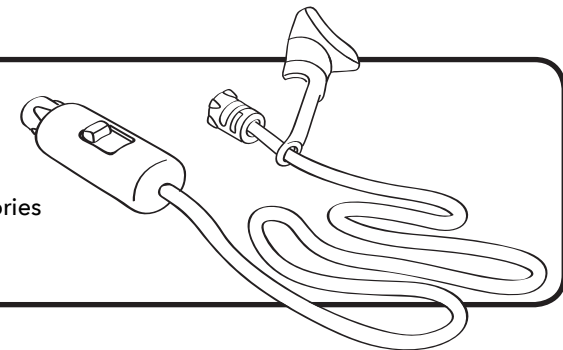


1. Remove trigger lock (installed for shipping) and discard.
2. Clean by filling base half full with soapy water, twist on the lid, shake to clean and then spray soapy water through the unit. Repeat with fresh water.
3. Fill base to fill line on 750ml bottle, 32 oz. mark on 1000mL bottle and 19 oz. on 650mL bottle.
4. Attach bottle lid to top of the bottle and close firmly by rotating clockwise.
5. Pump no more than 6 times. This will pressurize the unit to approximately 35 psi. Take note of the force required on the last pump and use this as a guide for when to stop pumping on future charges so that you do not over-pressurize the unit.
6. To release water, firmly press the colored circle on the back of the trigger.
7. Select spray patterns by adjusting the nozzle cap.
 - a. **Mist** - rotate the nozzle clockwise until it stops.
 - b. **Stream** - from mist position rotate the nozzle cap counterclockwise $\frac{1}{4}$ to $\frac{1}{2}$ turn.
 - c. **Shower** - remove the nozzle cap.

8. The safest method to depressurize the unit is to hold it upside down, while keeping the weighted screen above the water line. Then press the trigger to spray out compressed air.

ACCESSORIES

Looking for accessories?
Visit www.lunatecgear.com for a complete line of custom accessories made to enhance your Lunatec Hydration Spray Bottle.



STUCK? NEED HELP? CALL US 858.653.0401 or EMAIL support@lunatecgear.com

LUNATEC®

858.653.0401
lunatecgear.com
support@lunatecgear.com

MAINTENANCE

- Clean with soap and water as needed. The base is dishwasher safe for top rack only. The lid is **NOT** dishwasher safe.
- Do not put the unit in the freezer.
- Store out of direct sunlight.
- Do not store pressurized for more than 36 hours.
- Spray air through the unit to dry out the silicone tube before storing for long periods.
- It's a good idea to lock the trigger in the ON position when storing for long periods to keep the Pinch Tube from kinking.
- Spare parts are available on unatecgear.com.
- Instructional videos are available on product pages at unatecgear.com.
- For help, contact us at support@unatecgear.com

! WARNINGS

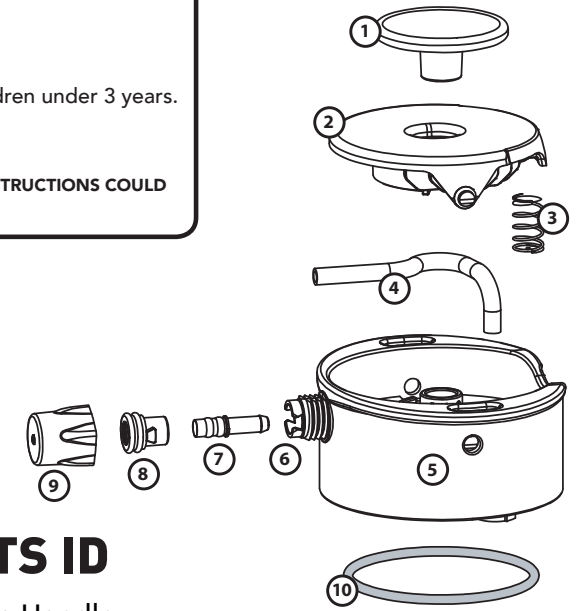
- Do not over-pressurize the unit.
 - Do not use liquids with temperatures above 120°F/49°C.
 - **CHOKING HAZARD** Unit contains small parts. Not suitable for children under 3 years.
 - Only use hydration spray lids with Lunatec bottle bases.
 - Do not use lid on any metal or glass bases.
- FAILURE TO READ AND FOLLOW THE ABOVE WARNINGS AND OPERATING INSTRUCTIONS COULD LEAD TO SERIOUS BODILY INJURY.**

FUN DRINKING TIP

1. Remove the nozzle cap to allow more water flow.
2. Put your mouth on the nozzle like you would a drinking straw.
3. Spray the water into your mouth instead of sucking!

TROUBLESHOOTING CHART

PROBLEM	REASON	SOLUTION
Unit does not build or hold pressure	Lid O-ring is missing	Replacement parts available at unatecgear.com
	Pump Barrel is too loose	Tighten Pump Barrel
	Something else	Email support@unatecgear.com or call 858.653.0401
Builds pressure but does not spray	Pinch Tube is kinked	Remove trigger and unkink Pinch Tube
	Something Else	Email support@unatecgear.com or call 858.653.0401
Water is getting inside of pump barrel	Umbrella Valve is not sealing	Replacement parts available at unatecgear.com
	Pump Barrel is too loose	Tighten Pump Barrel
Water is leaking from under trigger	Pinch Tube is damaged	Replacement parts available at unatecgear.com
	Something else	Email support@unatecgear.com or call 858.653.0401
Leaks around Nozzle Cap	Soft Nozzle is missing	Replacement parts available at unatecgear.com
	Wear and tear on Soft Nozzle	Replacement parts available at unatecgear.com
	Something else	Email support@unatecgear.com or call 858.653.0401
Mist is not fine	Wear and tear	Try sanding 0.5 mm of open side of the Nozzle Cap If that doesn't work, order a new Nozzle Cap.
	Operating mode is in Pulse	Switch to Stealth mode
	Something else	Email support@unatecgear.com or call 858.653.0401
Spray is too noisy	Operating mode is in Pulse	Switch to Stealth mode



PARTS ID

- 1 Pump Handle
- 2 Trigger
- 3 Spring
- 4 Pinch Tube
- 5 Lid
- 6 Lid Nozzle
- 7 Nozzle Adapter
- 8 Soft Nozzle
- 9 Nozzle Cap
- 10 Lid O-ring
- 11 Draw Tube Adapter
- 12 Draw Tube O-ring
- 13 Piston Rod
- 14 Pump Barrel O-ring
- 15 Pump Barrel
- 16 Draw Tube
- 17 Umbrella Valve
- 18 Piston O-ring
- 19 Weighted Screen

